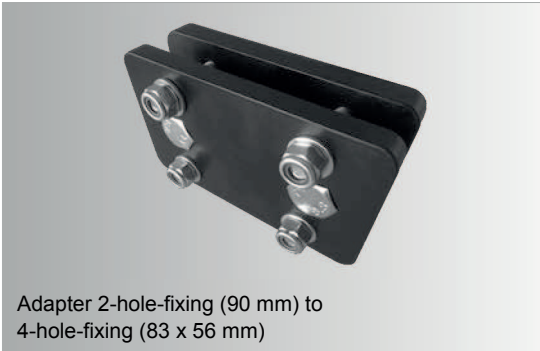


Accessories Special Couplings

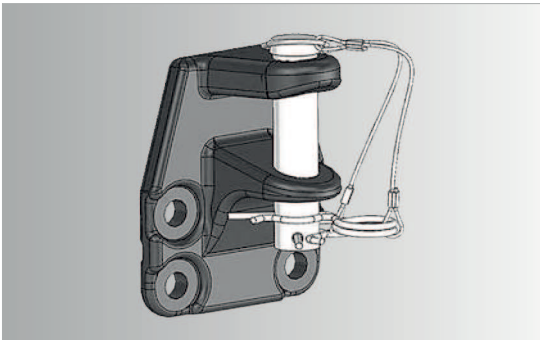


Adapter 2-hole-fixing (90 mm) to 4-hole-fixing (83 x 56 mm)

| | |
|----------------------|------------------------|
| order no. | 900 001 005 062 |
| max. total weight kg | 3500 |
| vertical load kg | 140 |
| D-value kN | 20,2 |
| weight kg | 3,0 |
| | |

The combination with the swap systems 329064600001 and 329073600001 is not possible.

Special Couplings



| | |
|-----------------------|------------------------|
| order no. | 329 142 600 001 |
| flange plate | |
| hole Ø mm | 17 |
| diameter mm | 4-Loch, 90 x 40 |
| max. total weight kg | 3500 |
| D-value kN flange | 23,4 |
| vertical load kg ball | 350 |
| weight kg | 3,5 |
| | |



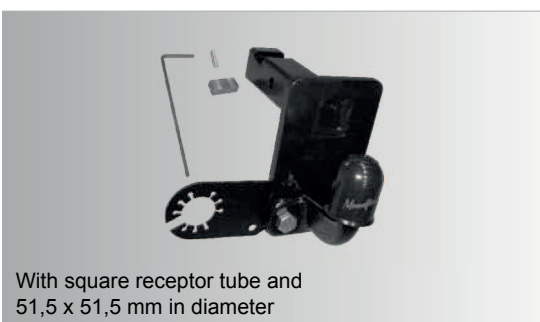
To tow trailers with ring coupling. Perfect for heavy vehicles

| | |
|----------------------|------------------------|
| order no. | 329 091 600 001 |
| flange plate | 114 x 73 |
| hole Ø mm | 17 |
| diameter mm | 2-holes, 90 |
| max. total weight kg | 3500 |
| opening mm | 50 Ø |
| D-value kN | 27,5 |
| vertical load kg | 150 |
| weight kg | 3,5 |
| | |



To tow trailers with a ball or ring coupling. Perfect for heavy vehicles

| | | | |
|----------------------|------------------------|------------------------------------|------------------------|
| order no. | 329 094 600 001 | 329 090 600001 discontinued | 329 131 600 001 |
| flange plate | 122 x 91 | 122 x 91 | 122 x 91 |
| hole Ø mm | 17 | 10-11 | 17 |
| diameter mm | 2-holes, 90 | 4-holes, 83 x 56 | 2-holes, 90 |
| max. total weight kg | 3500 | 3500 | 3500 |
| D-value kN | 31 | 31 | 31 |
| vertical load kg | 340 | 340 | 340 |
| weight kg | 5,2 | 5,2 | 5,2 |
| | | | |



With square receptor tube and 51,5 x 51,5 mm in diameter

| | | |
|--------------------|--|----------------------------------|
| order no. | 342 171 600 001 | 900001001850 |
| set | 1 ground plate 1 towball (2-holes) 1 socket holder 1 mounting kit | 1 ground plate 1 mounting kit |
| D/Dc-vlaue | 17,17 | 17,17 |
| weight kg | 8 | 2,7 |
| vertical load kg | 140 | 140 |
| towing capacity kg | 3500 | 2700 |
| | | |